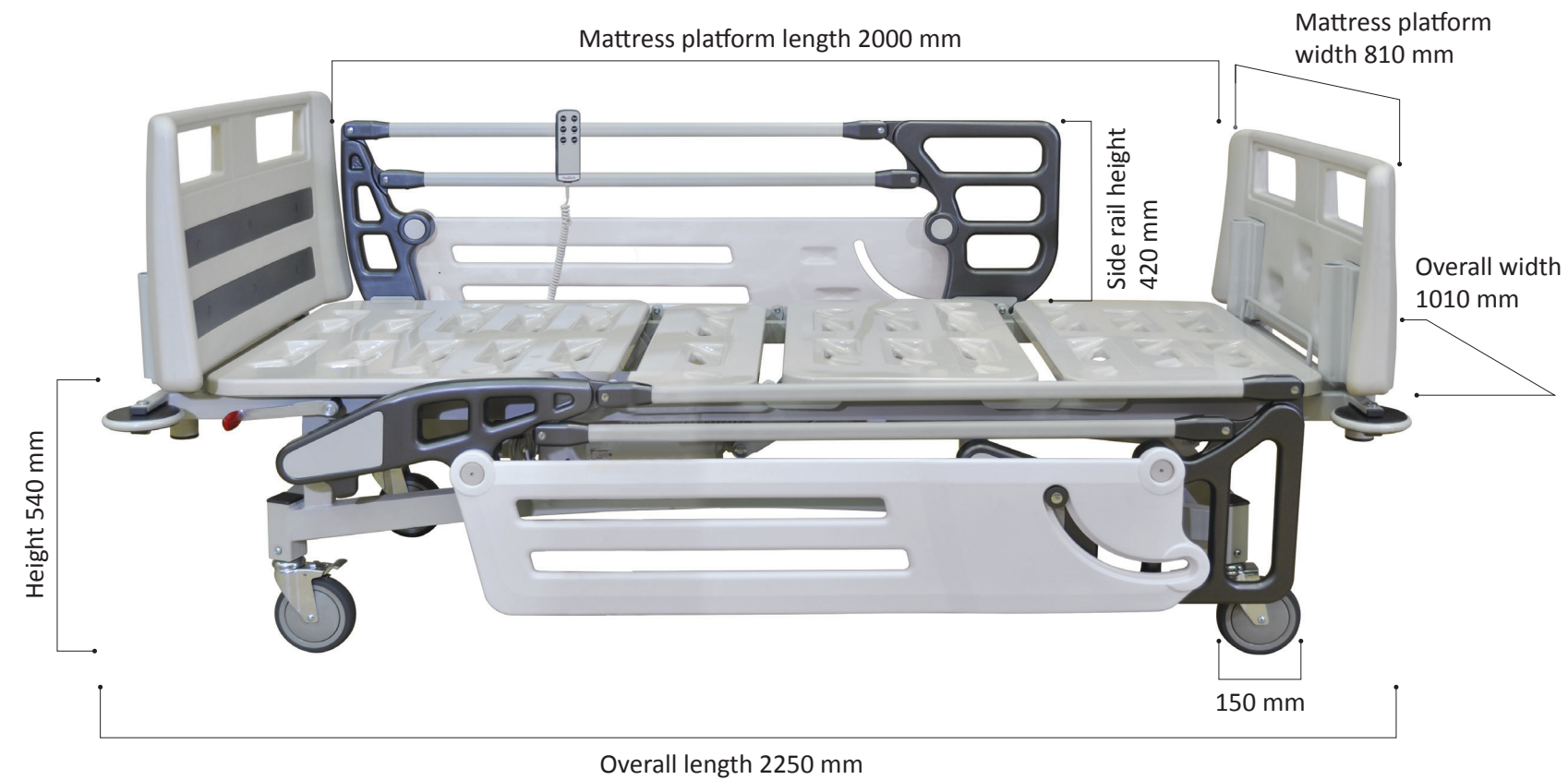


General Bed
25000 EC1





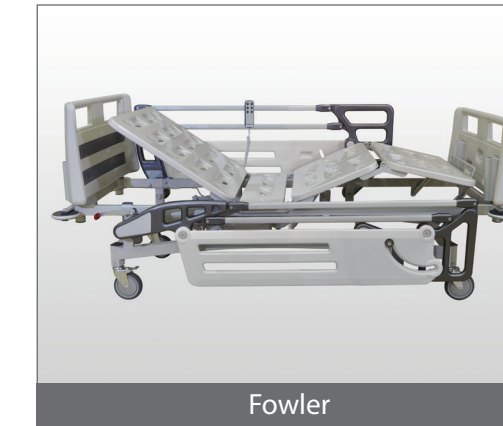
Technical Specifications

Overall dimensions 2250 mm × 1010 mm
 Mattress platform 2000 mm × 810 mm
 Height 540 mm
 Side rail height 420 mm
 Back rest angle 0 - 78°
 Knee rest angle 0 - 30°
 Bed weight 110 kg
 Safe working load 250 kg

Casters 150 mm
 Power input max. 250 VA
 Main power system 220 V-50 Hz, 24V DC
 Electrical current protection Class I
 Electrical shock protection Type B
 Operation mode 10%, max.: 2 min/18 min
 IP rating IP 66

Technical and Quality Assurance Standards
 IEC 60601- 2 -52
 ISO 13485
 ISO 9001
 ISO 14971

Positions



Features



Bed Ends

The seamless blow molded bed ends of 25000 EC1 are lightweight, durable, and easy to clean. Since the bed ends are of high quality, they are compatible for steam cleaning. In order to have a better access to patient's head in emergency cases, the caregiver can easily remove the bed ends by grasping the hand holds and lifting them up in one single step. Moreover, the bed ends have integrated steel fittings which make them extremely rigid; so the nursing staff can move the bed by holding and pushing them without worries.



Side Rails

A unique and stylish design of parallel side rails combines blow molded plastic parts and steel bars to provide a protective height and length. The side rails adhere to the highest standards of safety to prevent patient fall and entrapment.



Pendant Control

User friendly handset control with illustrative schematics makes it simple and easy for the patient and caregiver to adjust the back and knee rest positions. The pendant controller can be placed on both side rails for easy access.



Casters

150 mm casters run extremely smoothly; the quality that makes it significantly easy for the nursing staff to transport the bed in the medical centers. Having diagonal locks, the casters can be locked in order to prevent the bed from unintended movement.



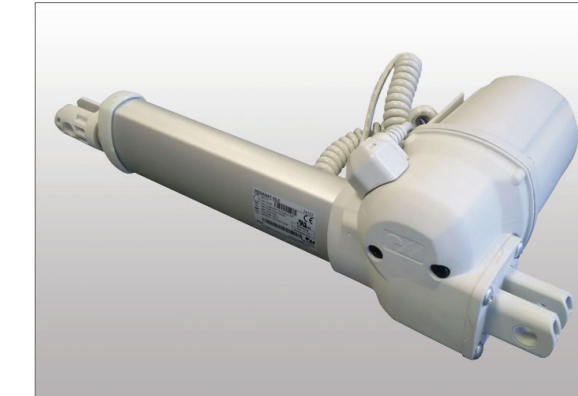
Mattress Platforms

The ABS mattress platforms of this general bed are produced by injection molding method. These platforms have some remarkable features such as smooth surfaces, high durability, and easy to remove for cleaning and disinfection. Plus, the mattress platforms are compatible for steam cleaning.



Bumpers

Innovative rotary bumpers which are located on four corners of 25000 EC1 can prevent to a large extent the damages that may occur due to unwanted collision of the bed to the surroundings during transportation.



Actuators

All positions of this bed are achieved by powerful, reliable, and low noise actuators. As the actuators have IP66 rating, they are protected against ingress of dust and water. This prominent feature of actuators makes it easy to clean and disinfect the bed in the medical centers on a regular basis.



Urine Bag Holder

Urine bag holders can be easily installed on either side of the bed in one step.